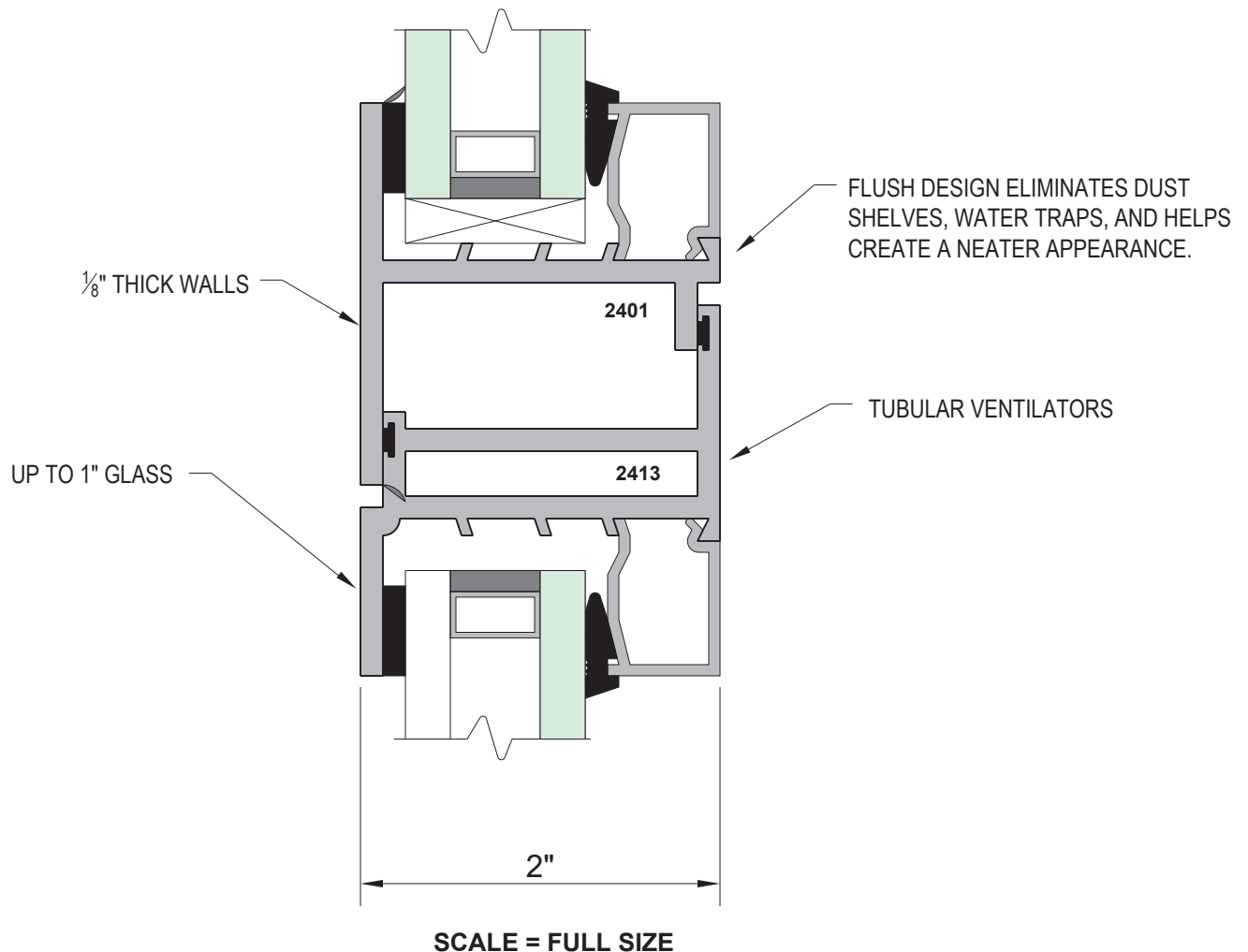


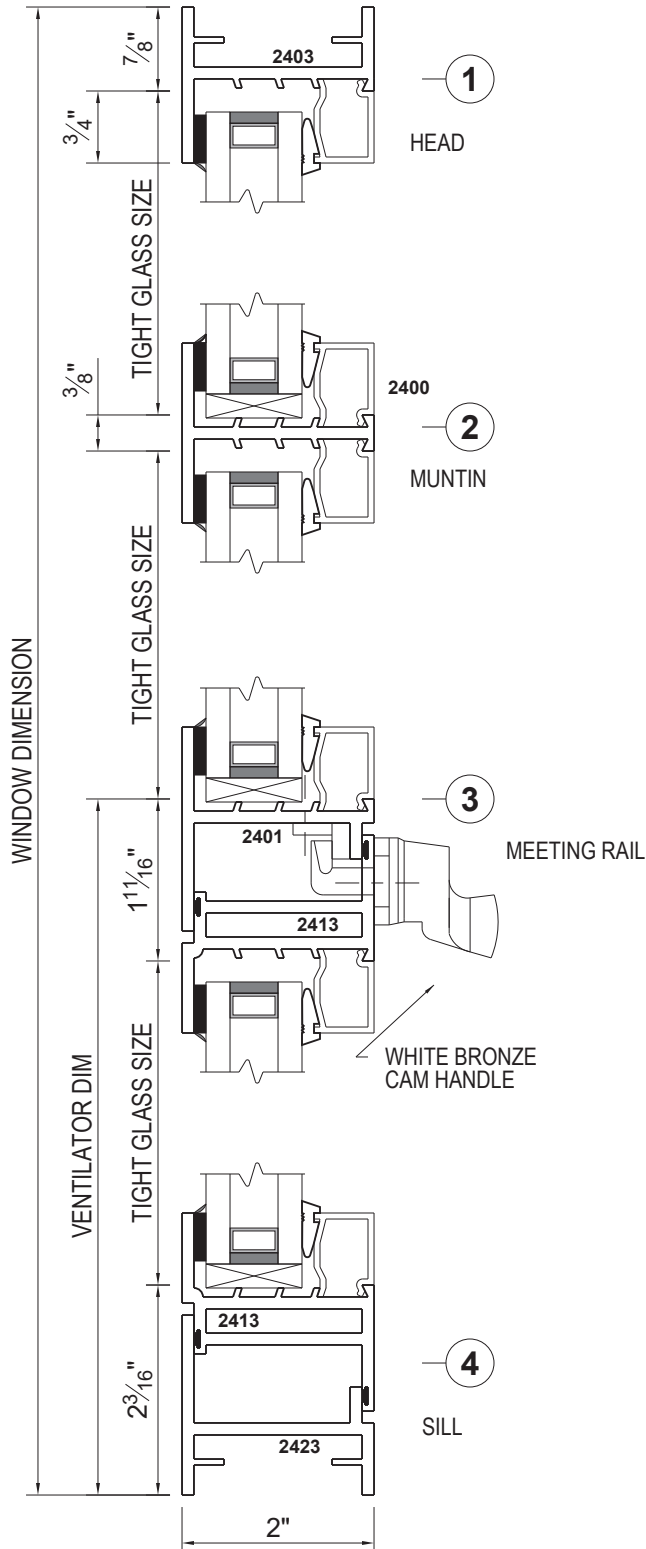


The 2400 Series is a high quality heavy duty monumental performance window. This series is available as project-in, project-out, casement and fixed units. These non-thermal windows can be fabricated into rectangular as well as unusual designs that will keep the integrity of virtually any opening.

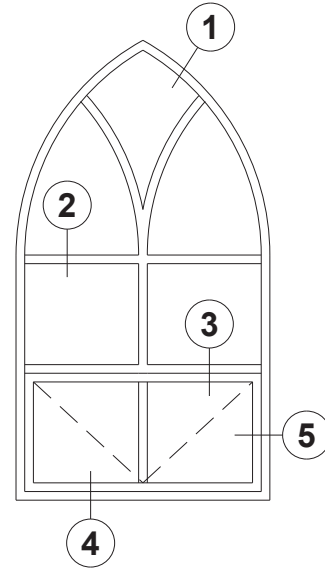


Features:

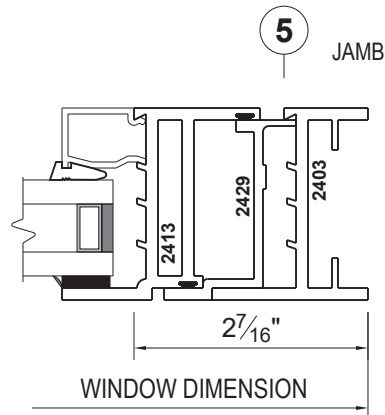
- Full 2" deep frame with 1/8" thick walls will meet or exceed AAMA HC-60 and GS-001 monumental performance specifications.
- Glazing up to 1" can be accommodated.
- Frame corners have tightly fitted hairline joints that are factory sealed.
- Frame and sash corners are either fully welded or heavy angle reinforced, epoxy welded and hydraulically crimped.
- Each ventilator has two wear resistant nylon glides independent of the hinge to insure maximum alignment and weather tightness.
- The 2400 Series is interchangeable with and lines up with the 2440 Series .

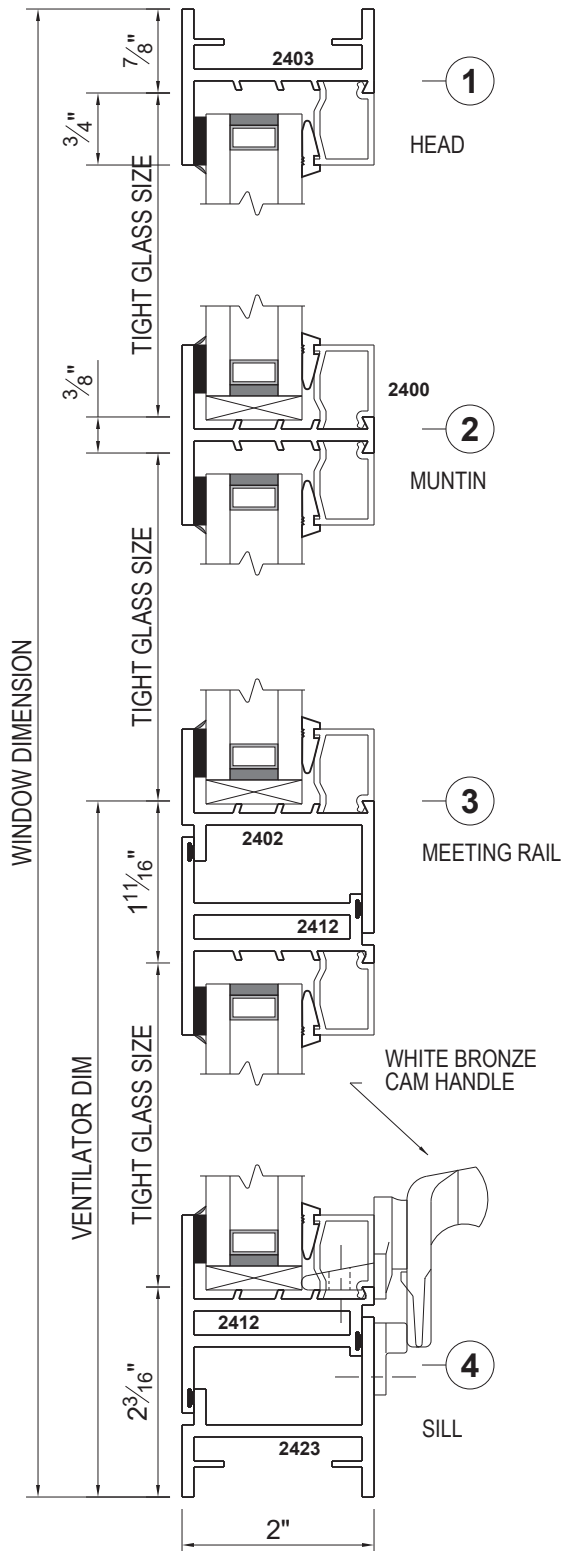


FIXED OVER PROJECT-IN VENT

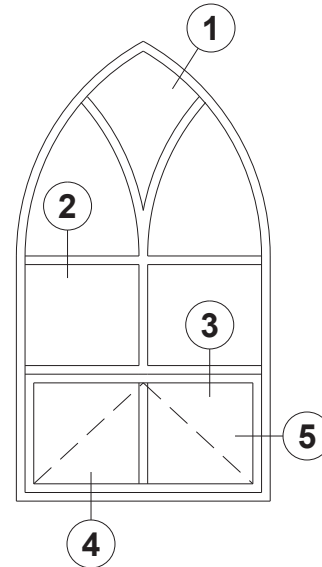


Typical Elevation

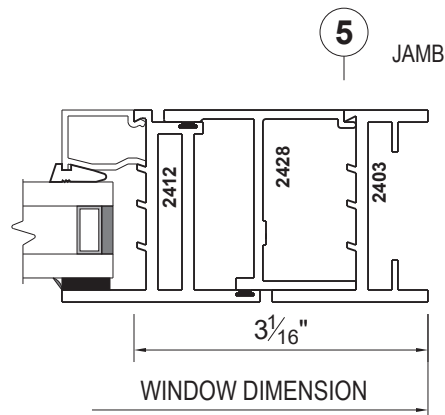


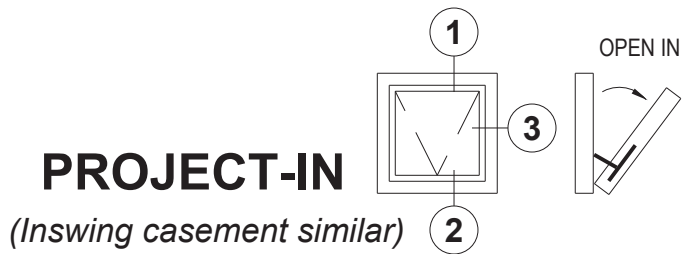


FIXED OVER PROJECT-OUT

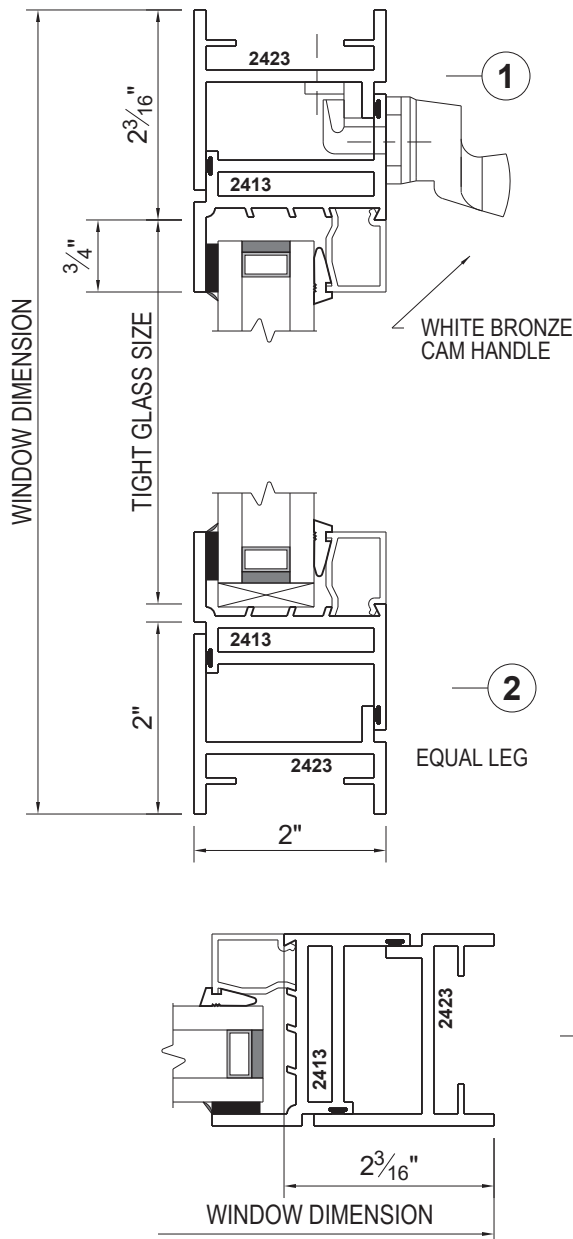


Typical Elevation

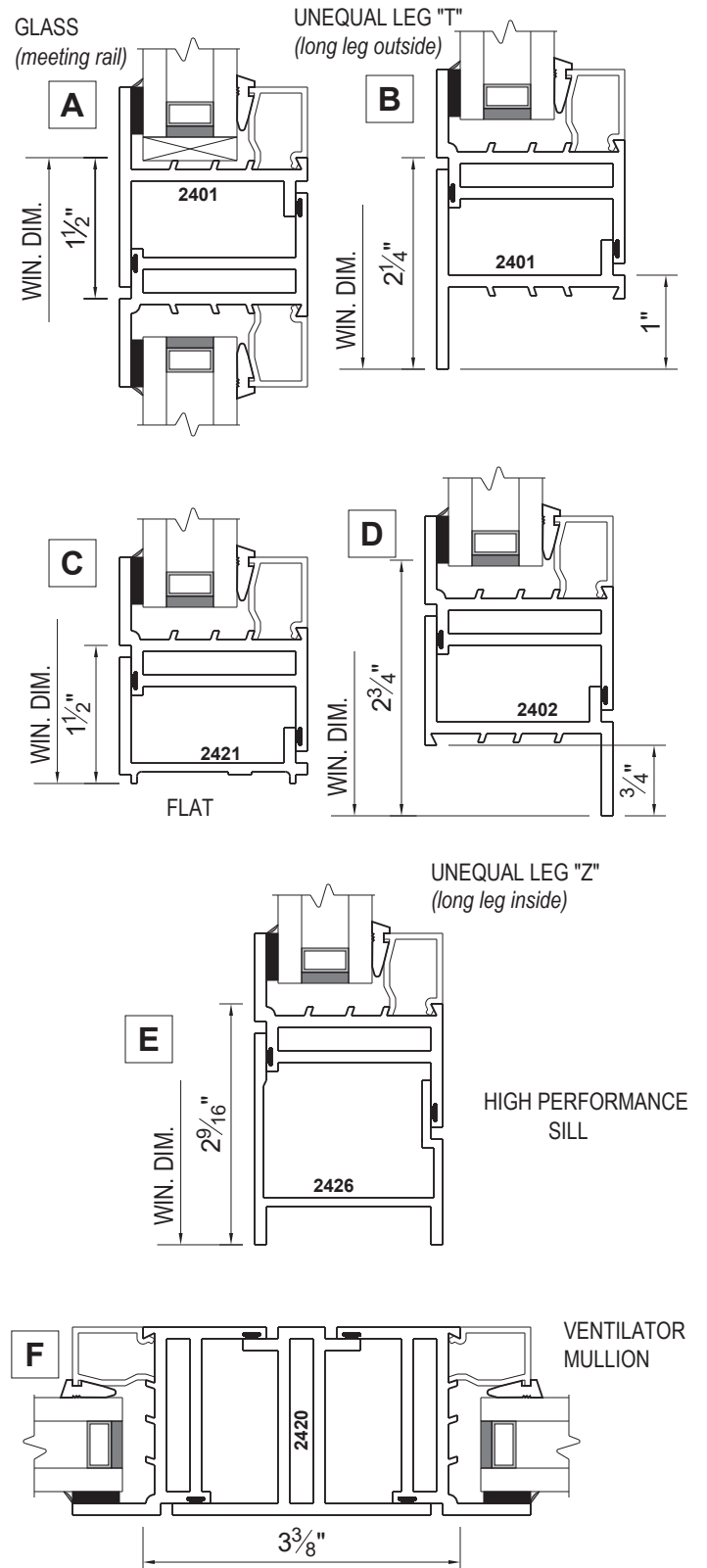




Standard Ventilator
(equal leg frame)



Alternate project-in ventilator sections that can be used at head, sill or jamb.



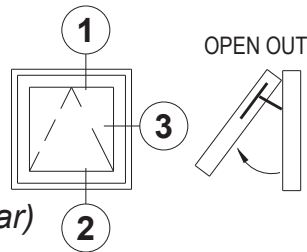


Since 1906

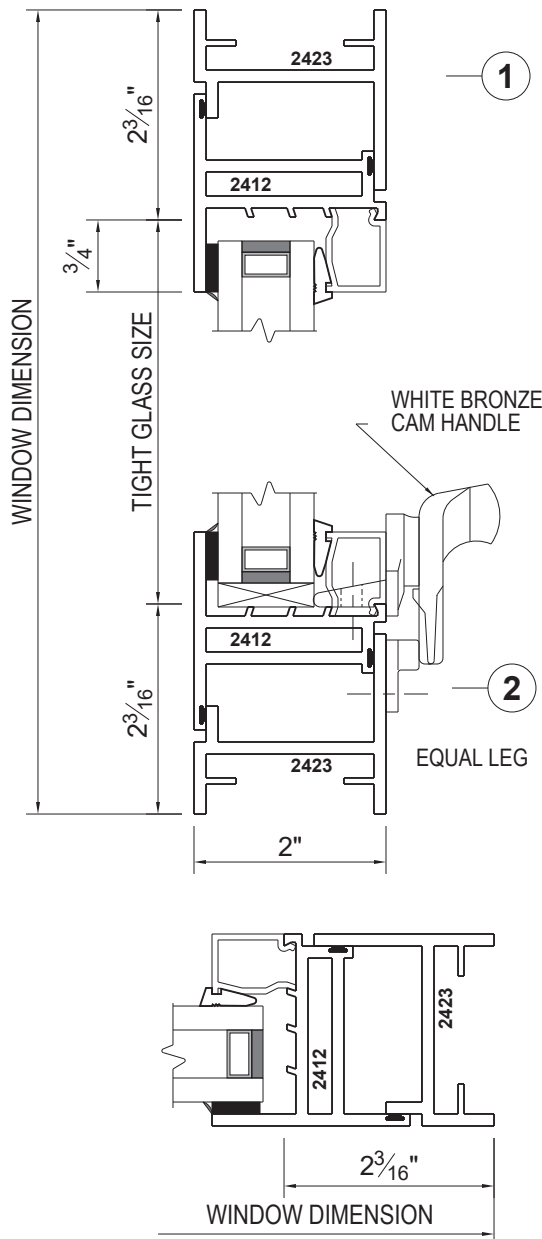
America's finest custom windows

PROJECT-OUT

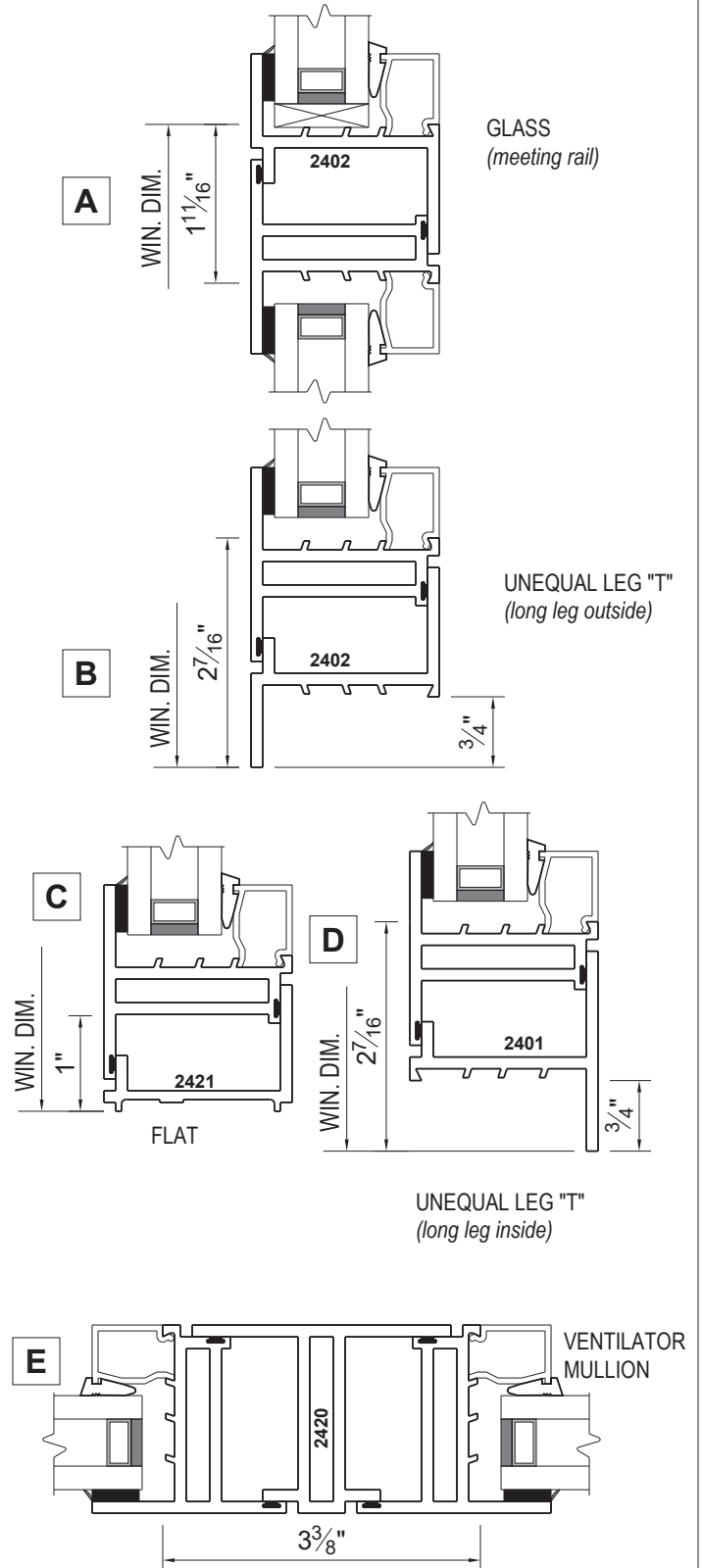
(Outswing casement similar)



Standard Ventilator
(equal leg frame)



Alternate project-out ventilator sections that can be used at head, sill or jamb.



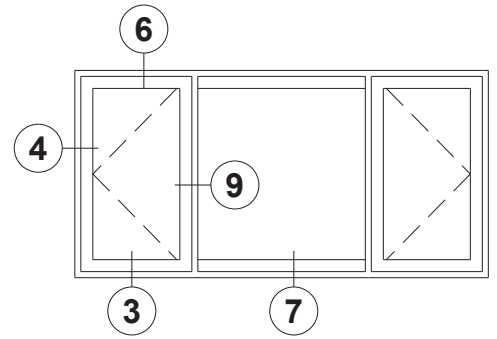
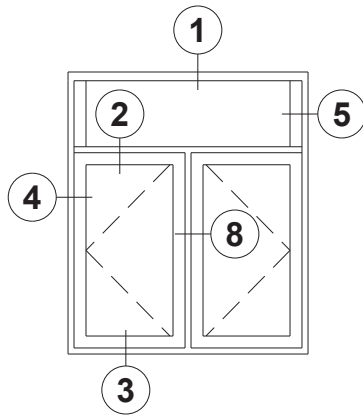
SCALE = HALF SIZE



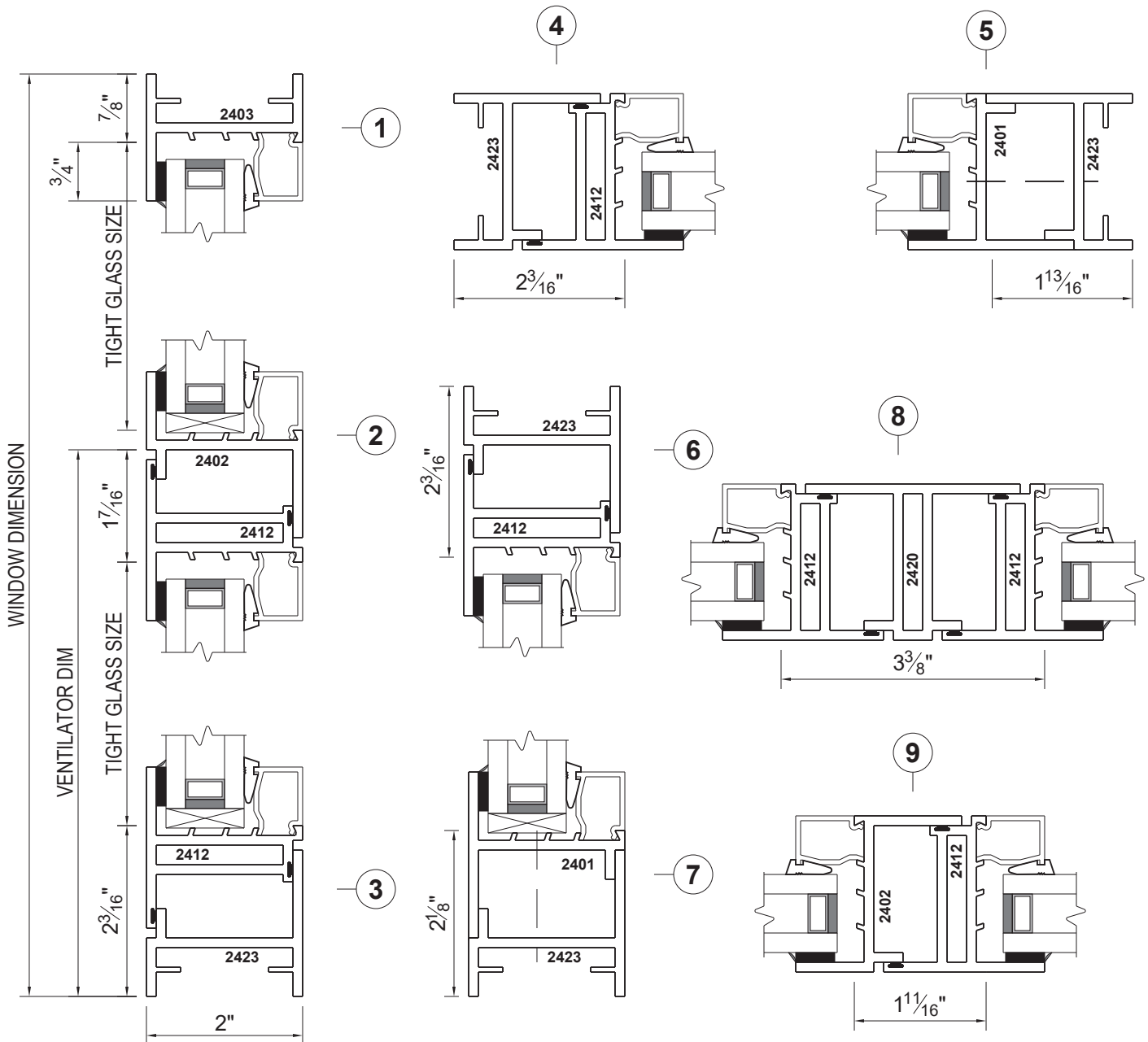
OUTSWING CASEMENT

Hardware not shown. Push-pull operation with cam handles and stainless steel concealed 4 bar hinges are standard. Crank operation with rotos and 5 knuckle extruded aluminum butt hinges are optional.

(equal leg frame)



Typical Elevations

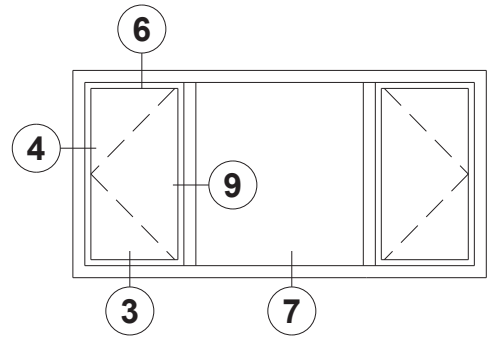
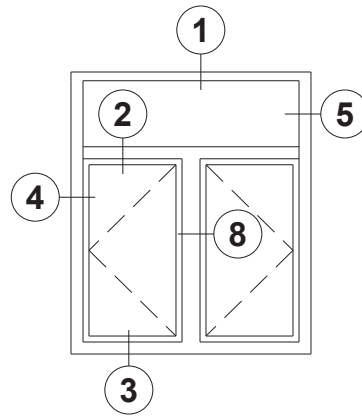


SCALE = HALF SIZE



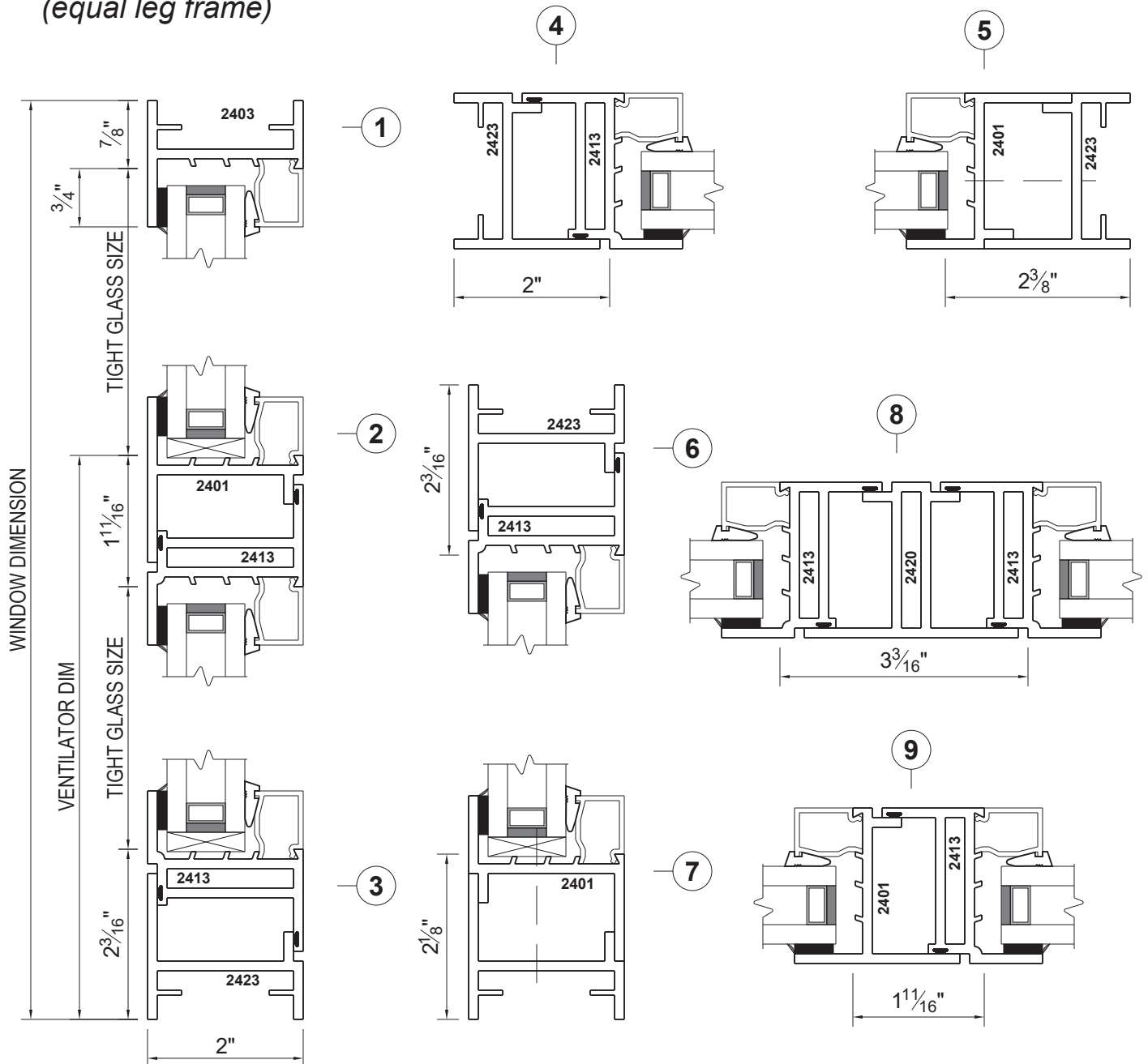
INSWING CASEMENT

Hardware not shown. Push-pull operation with cam handles and stainless steel 4 bar hinges are standard. 5 knuckle extruded aluminum butt hinges are optional.



Typical Elevations

(equal leg frame)



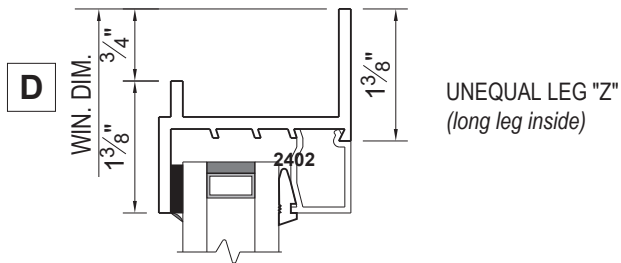
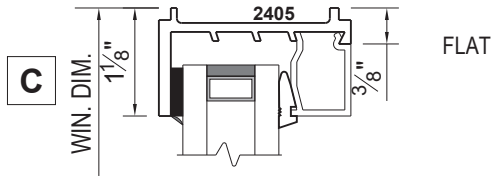
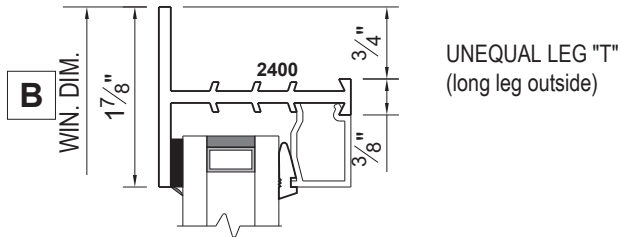
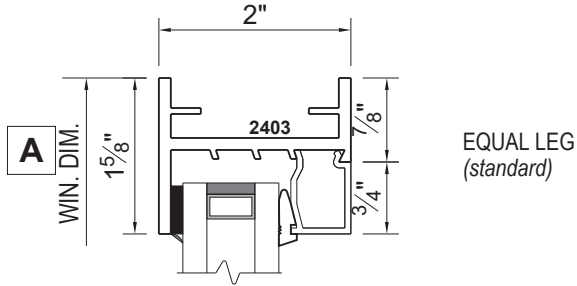
SCALE = HALF SIZE



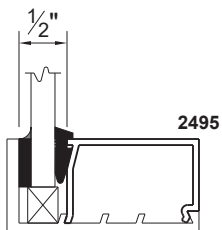
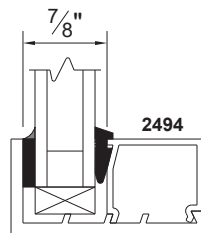
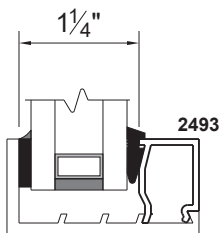
Since 1906

America's finest custom windows

Fixed Perimeter Frame Sections

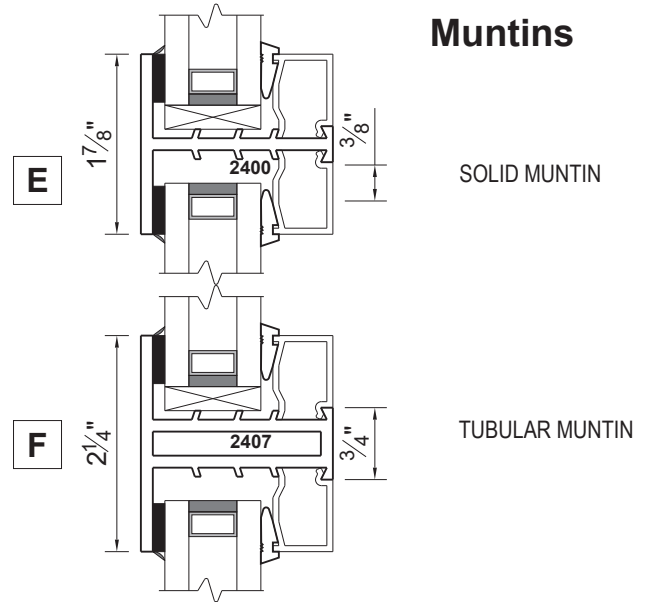


Glazing Options

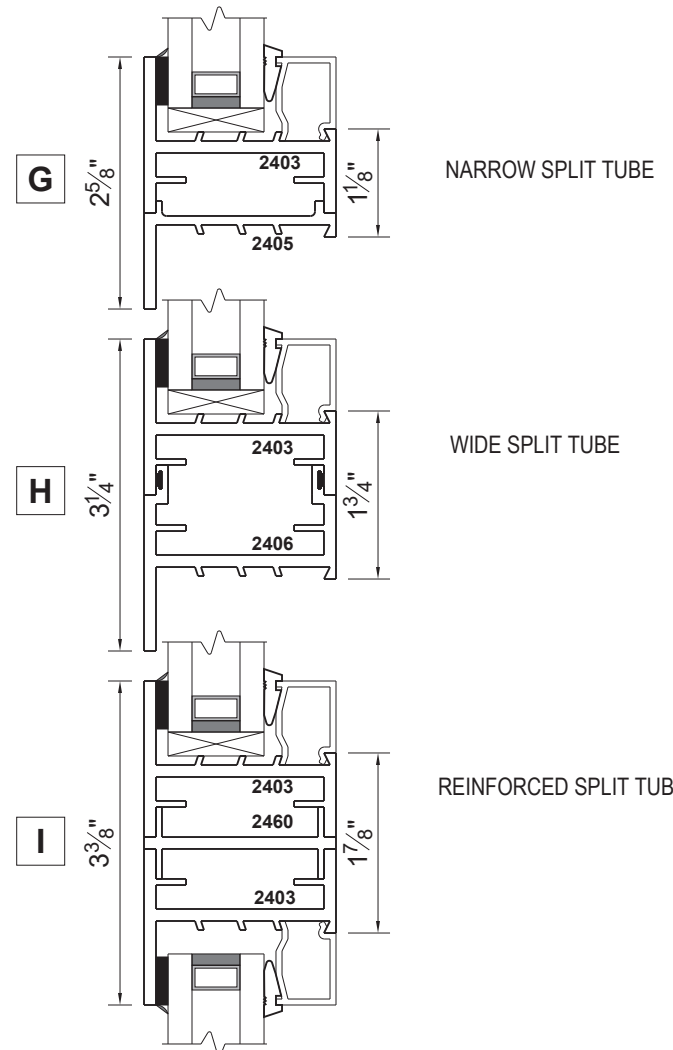


Note: With different glazing gaskets and tapes, many more variations on glass thicknesses are available.

Muntins



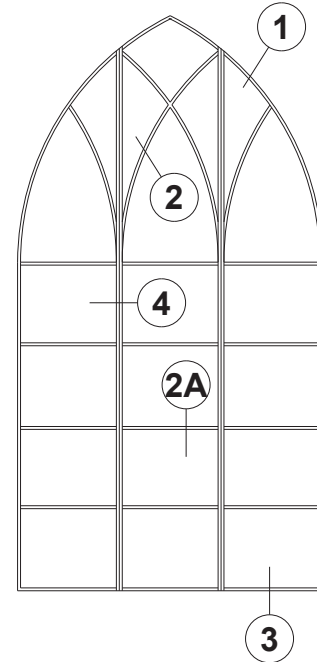
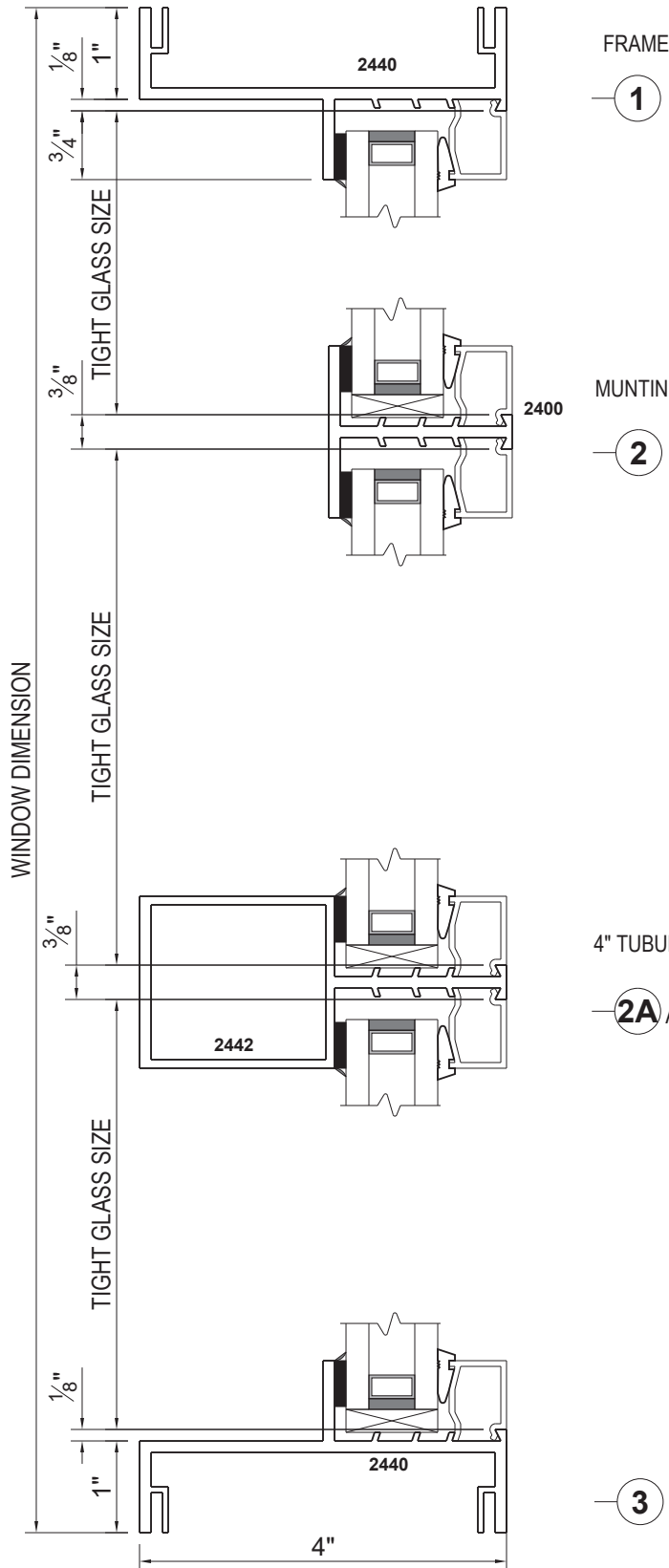
Vertical and Horizontal Stacking



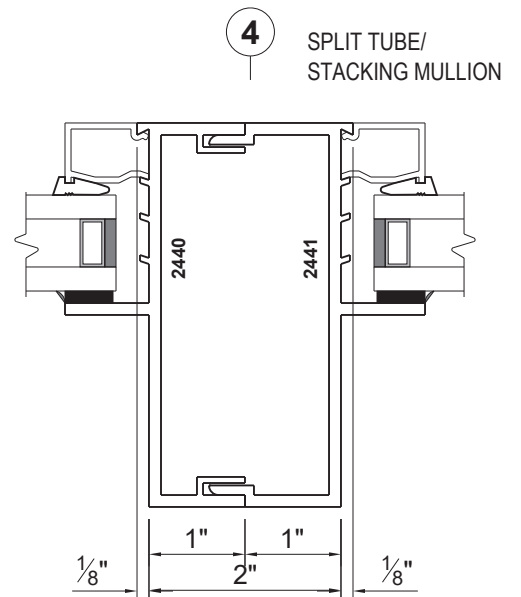
SCALE = HALF SIZE



The 2440 Series is 4" deep and is used for large windows or for design variation. The 2440 Series lines up with, and is interchangeable with the 2400 Series. 2400 Series ventilators can easily be incorporated into the 2440 Series. All sections can be used horizontally or vertically.



Typical Elevation



SCALE = HALF SIZE