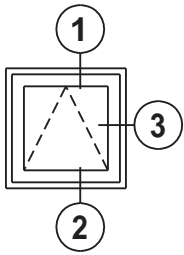
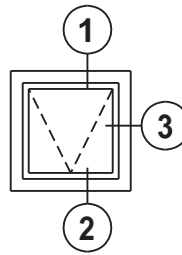
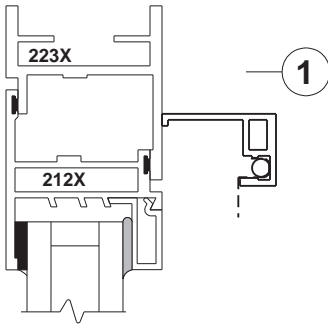




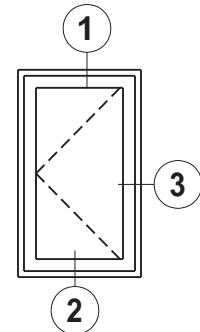
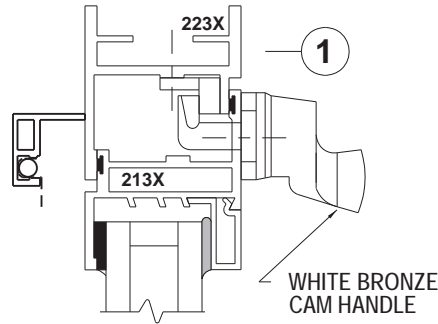
Screens shown with 200X Series. Other Series similar.



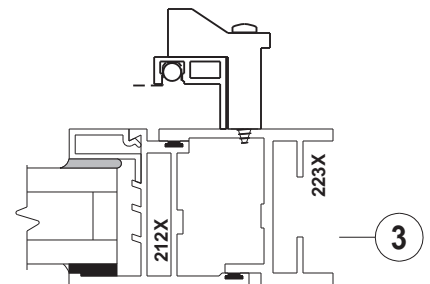
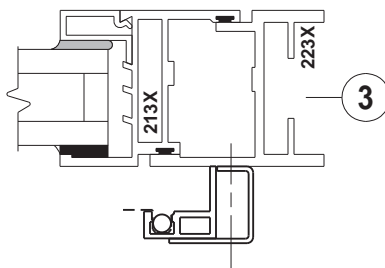
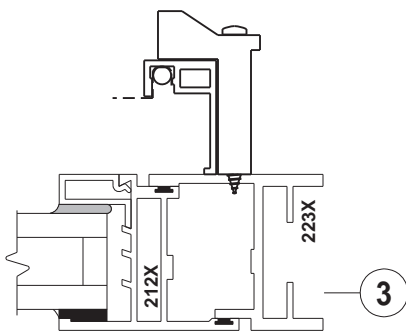
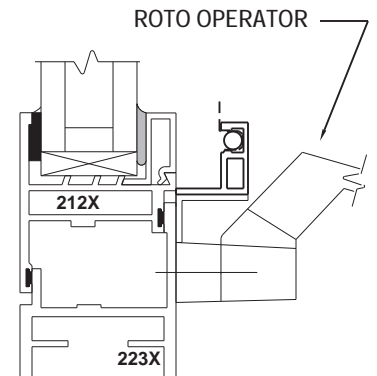
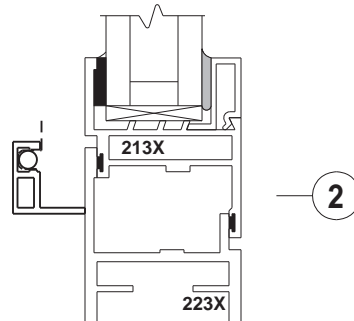
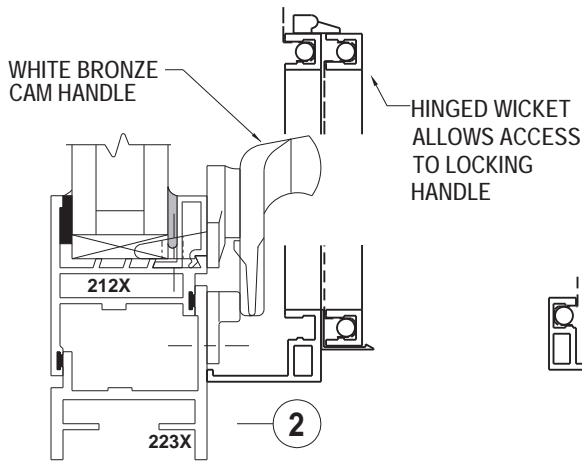
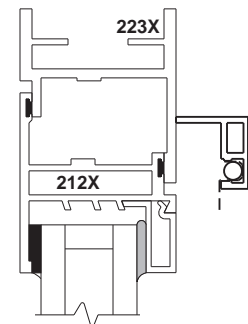
WICKET SCREEN FOR PROJECT-OUT VENTILATOR



"FLAT" SCREEN FOR PROJECT-IN VENTILATOR
(Inswing casement similar)



SCREEN FOR ROTO OPERATED CASEMENTS AND VENTILATORS



SCALE = HALF SIZE