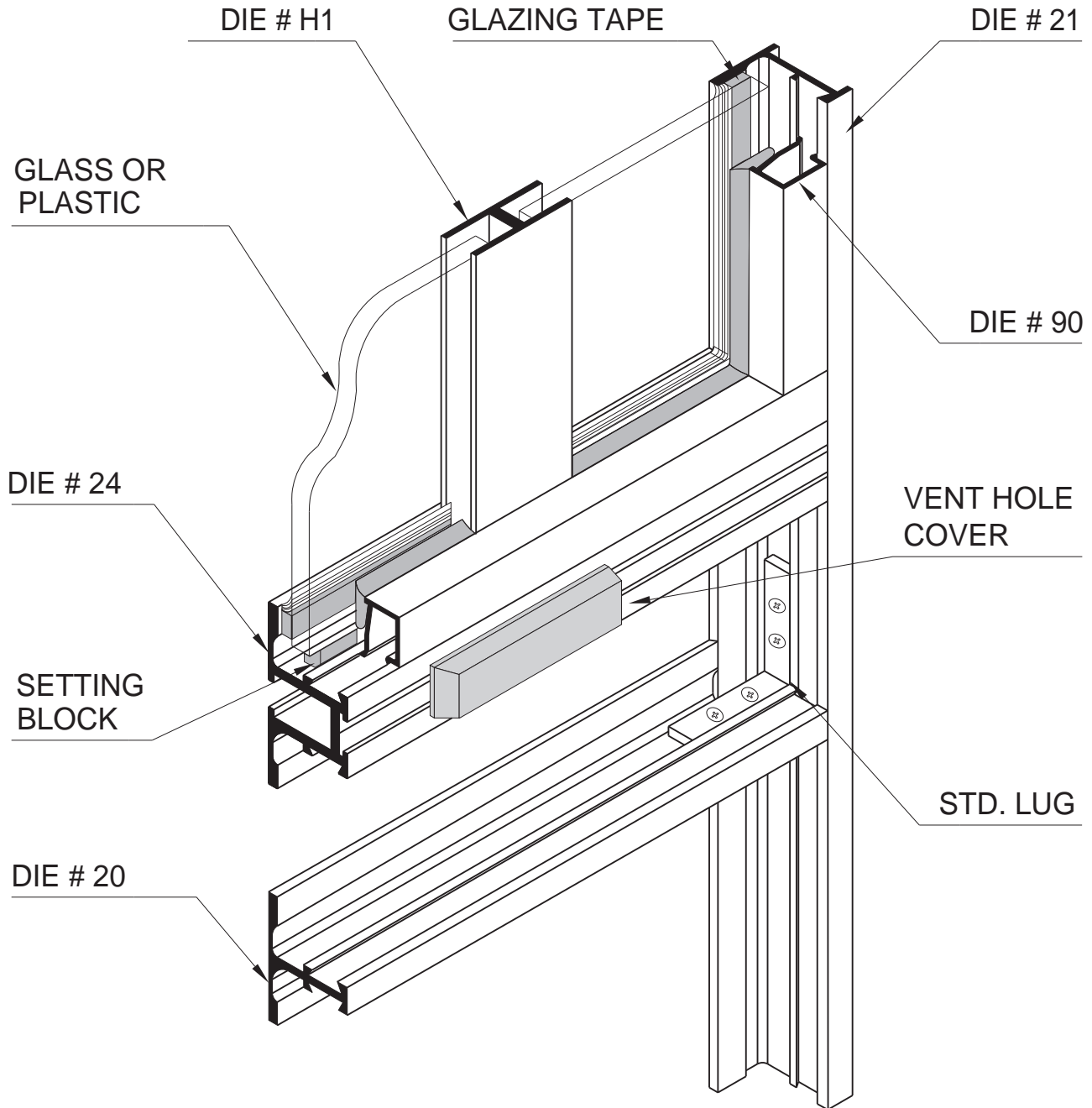


# STOCK LENGTHS

Aluminum Extrusions Designed Specially  
for the Stained and Art Glass Trade



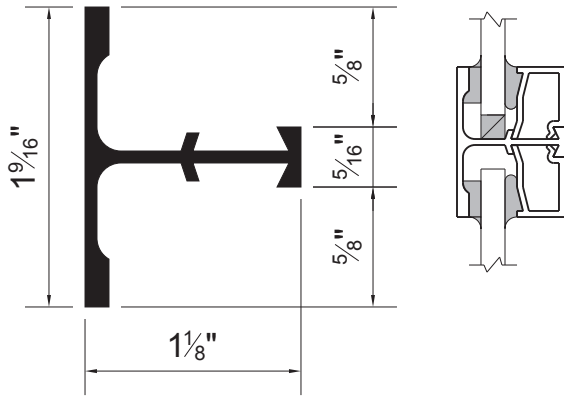
**J. SUSSMAN, INC.**

Since 1906

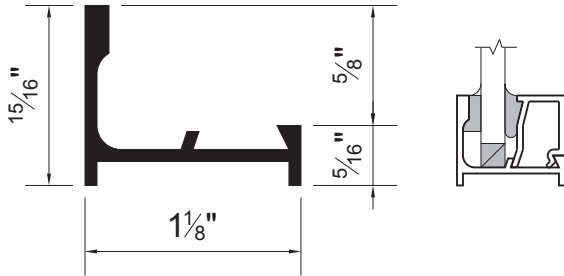
MANUFACTURERS OF AMERICA'S FINEST ARCHITECTURAL METAL PRODUCTS AND SERVICES

## 20 SERIES

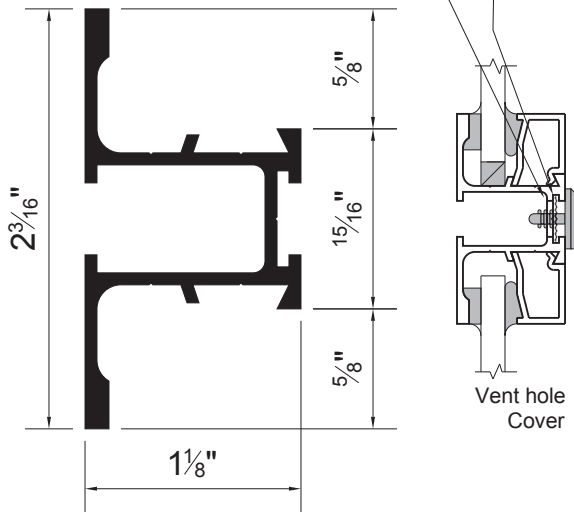
DIE #  
20



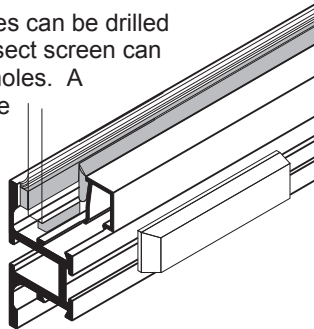
DIE #  
21



DIE #  
24

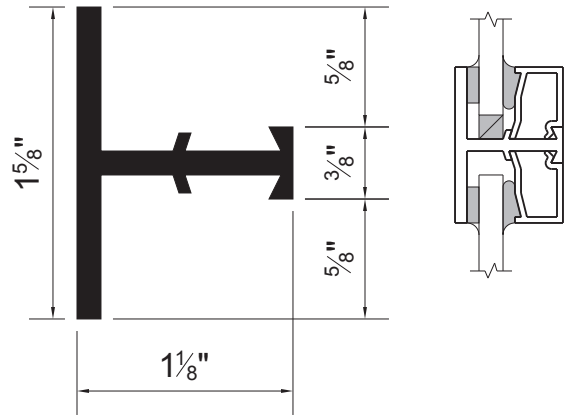


Die# 24 is a "Venting Tee". Holes can be drilled into the "Tee" and a dust and insect screen can be inserted in a groove over the holes. A nylon vent hole cover is available to hide the holes and prevent water infiltration.

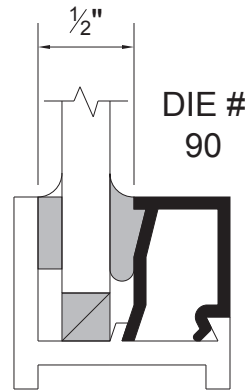
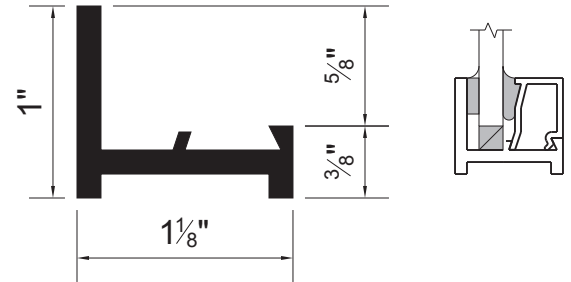


## 10 SERIES

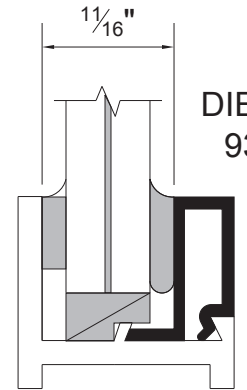
DIE #  
10



DIE #  
11



DIE #  
90

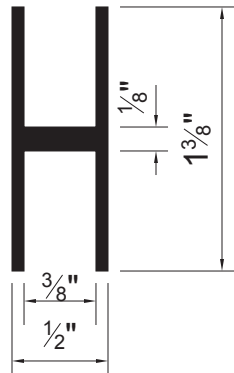


DIE #  
93

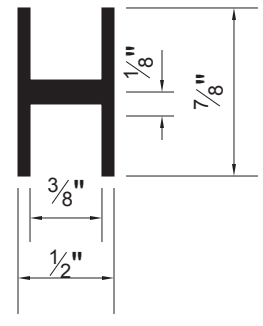
Die# 90 and 93 fits with the 10 and 20 Series

## H SERIES

DIE #  
H-1



DIE #  
H-2



The H Series fits with the 10, 20, 100 and 200X Series



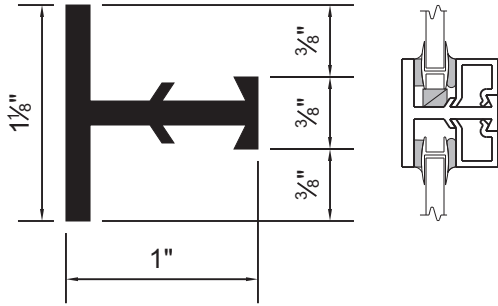
**J. SUSSMAN, INC.**

2

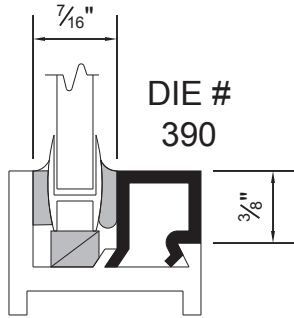
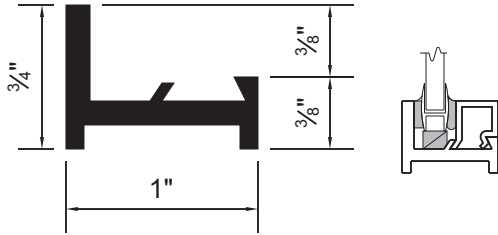
Since 1906

# 100 SERIES

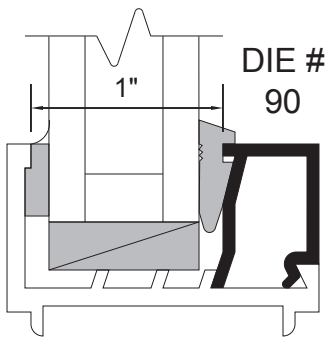
DIE #  
100



DIE #  
101

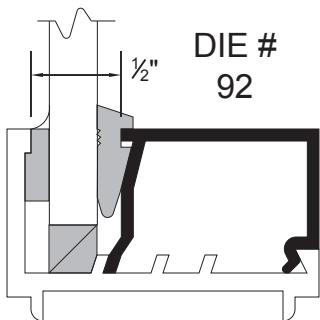


DIE #  
390

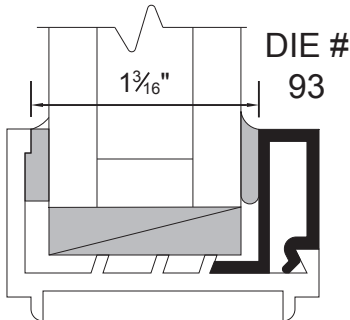


DIE #  
90

With the use of various glazing tapes and wedges, any thickness glass between 1/8" and 1" can be accommodated.



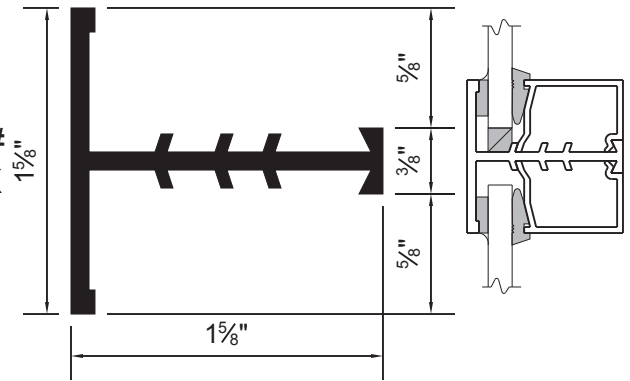
DIE #  
92



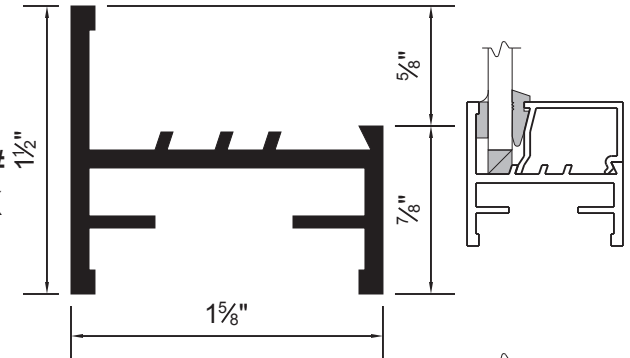
DIE #  
93

# 200X SERIES

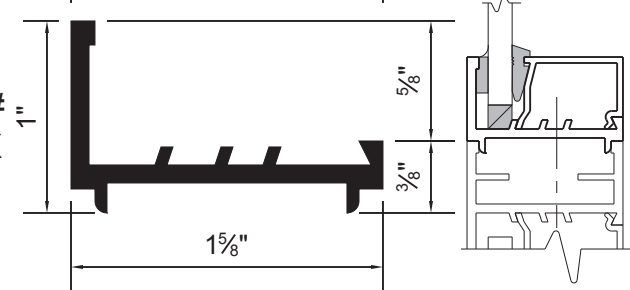
DIE #  
200X



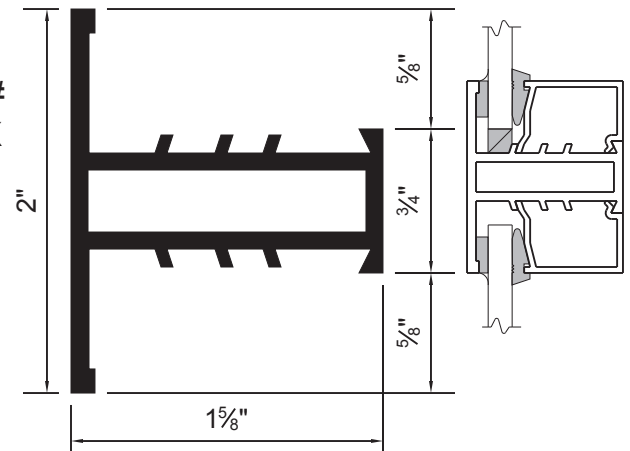
DIE #  
203X



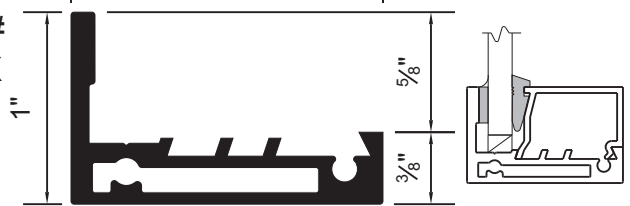
DIE #  
205X



DIE #  
207X



DIE #  
211X


















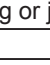


Many more sections are available in the 200X series. Consult factory.



**J. SUSSMAN, INC.**

Since 1906

DIE #	LENGTH*	PCS/BUNDLE
20 	15'	20
24 	15'	10
21 	15'	20
90 	15'	40
93 	15'	40
10 	15'	20
11 	15'	20
100 	15'	25
101 	15'	25
390 	15'	50
H-1 	15'	20
H-2 	15'	25
200X 	24'	Packed to order
207X 	24'	Packed to order
203X 	24'	Packed to order
205X 	24'	Packed to order
211X 	24'	Packed to order
92 	24'	Packed to order

\* All aluminum extrusions can be factory cut to size for shipping or job requirements.

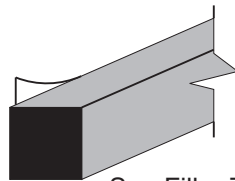
## SELECTION GUIDE

- **The 20 Series** is designed for protective glazing. These sections have the deep rabbet necessary to take the expansion and contraction of plastics and large pieces of glass. These sections have lighter walls and are more economically priced. Die# 24 has the added feature that holes can be drilled into it to ventilate the space between the protective and art glass. A screen and vent hole cover are available.
- **The 10 Series**, like out 20 Series, is designed for protective glazing. These sections have heavy 1/8" thick walls to give this series additional strength.
- **The 100 Series** was introduced over 35 years ago and has become the standard for the stained and art glass industry. This series was designed for maximum strength and minimum siltlines to enhance the beauty of the art glass.
- **The 200X Series** was designed for versatility and strength, and can be used for many different purposes. The 1 5/8" depth combined with it's heavy walls gives this series the strength necessary for most situations. With its various glazing beads it can accommodate glass or panels up to 1" thick.

All sections are stocked in mill, painted bronze, painted white, clear anodized and bronze anodized finishes. Other finishes are obtainable.

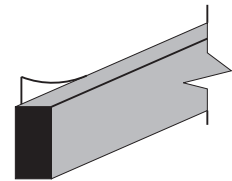
J. Sussman, Inc. stocks over a million pounds of aluminum. Besides the shapes in this brochure, we have thermal break window systems, double and triple glazed thermal break church window systems, and a large assortment of Alcoa sills, angles, channels and tubes. We welcome your inquiries.

## ACCESSORIES

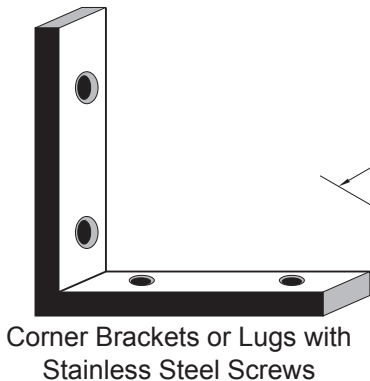


Sus-Filler Tape

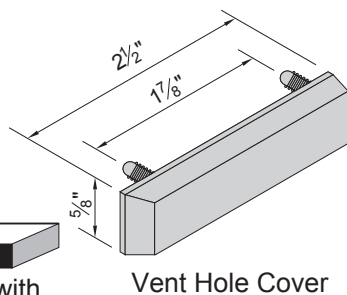
(A single sided self adhesive foam tape ideal for glazing the interior glass of double glazing. Not for exterior use.)



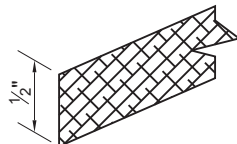
Glazing Tape



Corner Brackets or Lugs with Stainless Steel Screws



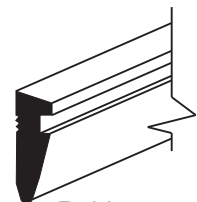
Vent Hole Cover



Screen



Neoprene Setting Blocks



Rubber Glazing Wedge

MANUFACTURERS OF AMERICA'S

FINEST ARCHITECTURAL METAL PRODUCTS AND SERVICES



# J. SUSSMAN, INC.

109-10 180th Street, Jamaica, New York 11433

Tel: 718-297-0228 Fax: 718-297-3090 www.jsussmaninc.com

Specifications Subject to Change Without Notice  
Printed in the U.S.A. © 2009

Since 1906