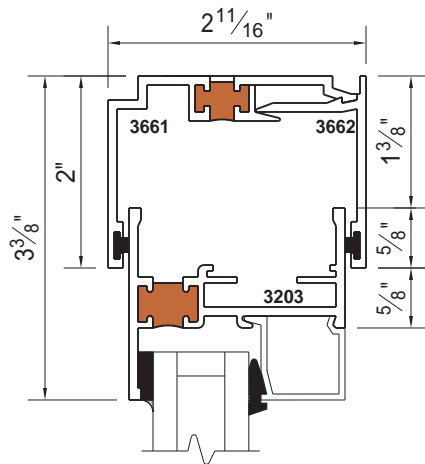
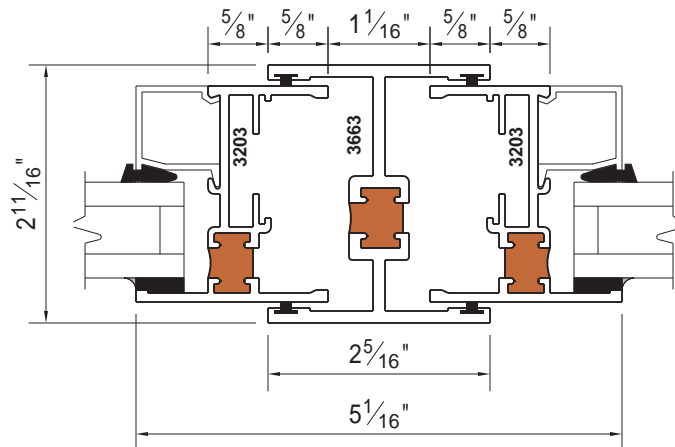
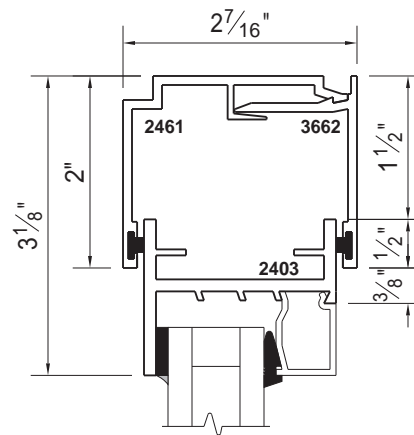


*Receptor shown with 3200 Series.  
3600 Series similar.*



*Receptor shown with 2400 Series.*



**SCALE = HALF SIZE**