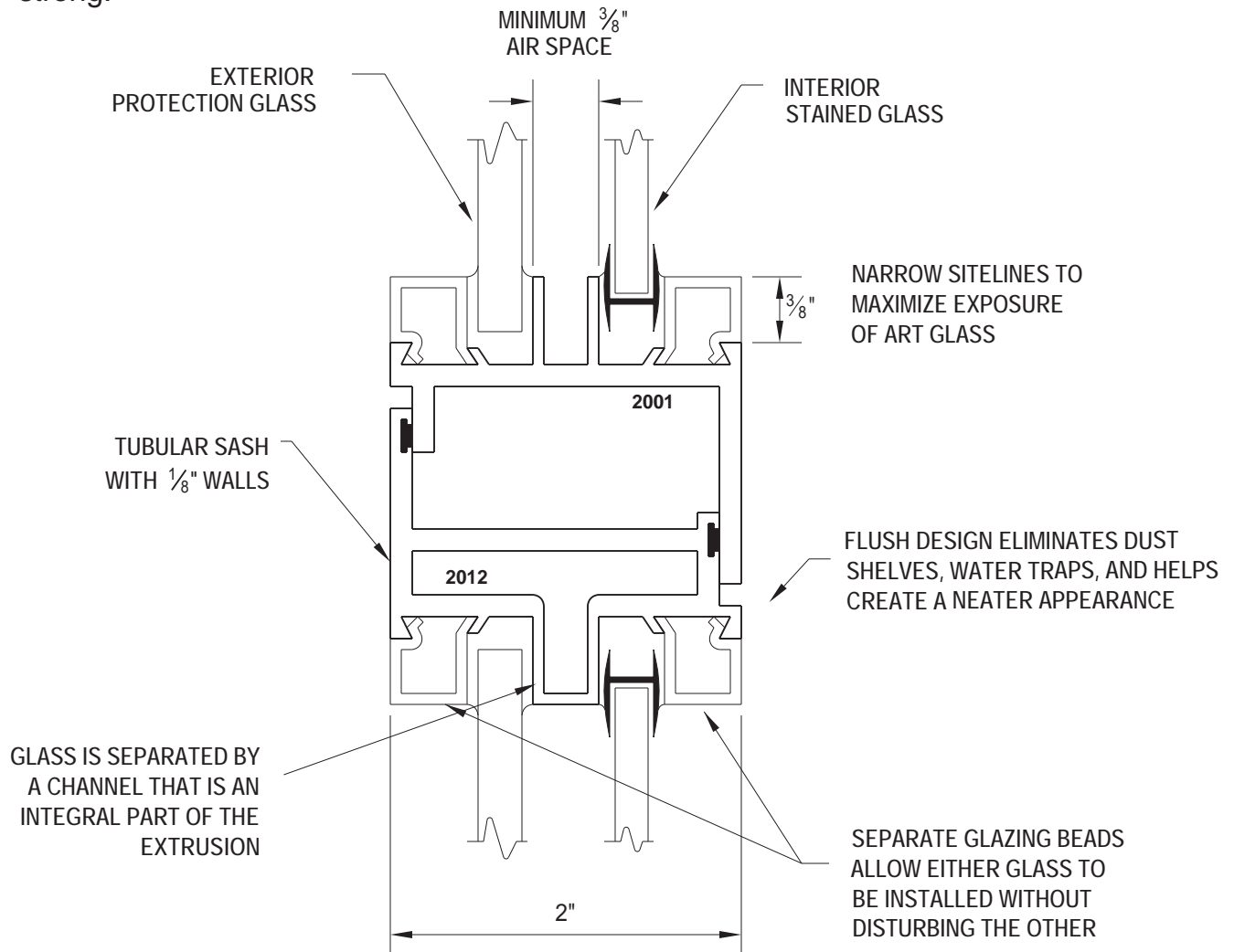




The 2000 series is the economy line of double glazed ventilators. They are available as project-in, project-out, or casement. Its tubular sash with 1/8" walls makes it exceptionally strong.



SCALE = FULL SIZE

Features:

- All frame and sash members are a full 2" deep.
- Ventilators are tubular on all four sides. Vent corners are accurately mitered, angle reinforced, epoxy welded and hydraulically crimped.
- The channel that separates the glass is an integral part of the extrusion and will help prevent theft and air and water leakage.
- Either glass can be installed or replaced without disturbing the other.
- .001 CFM air infiltration at 6.24 PSF (50 MPH winds) and no water leakage at 10.5 PSF.

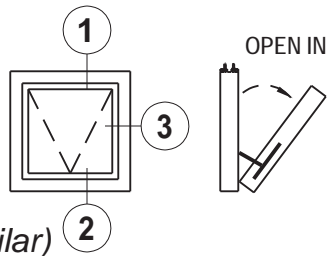


Since 1906

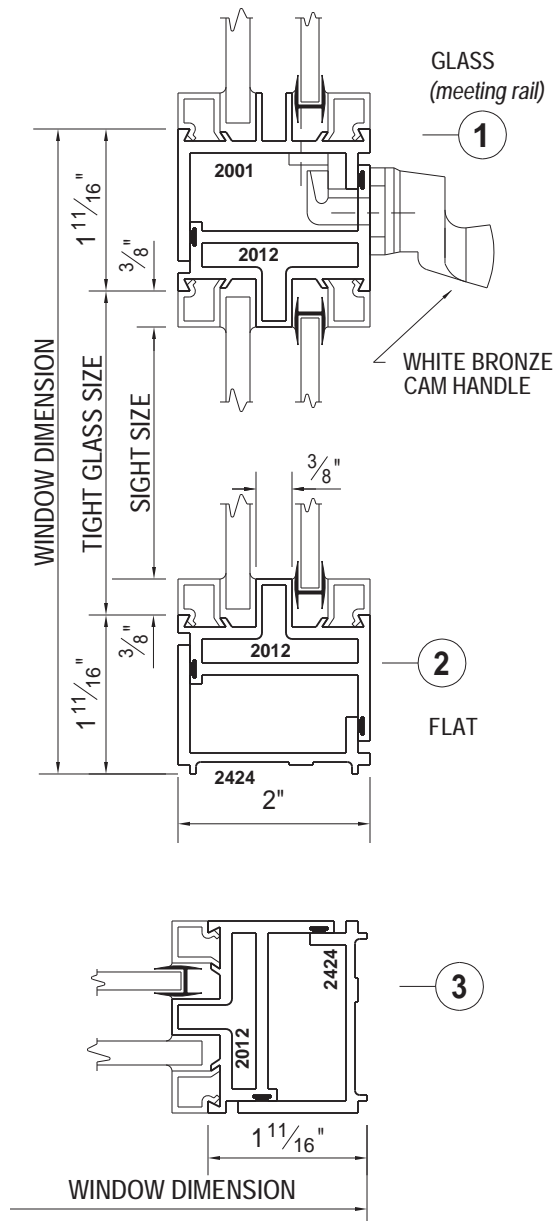
America's finest custom windows

PROJECT-IN

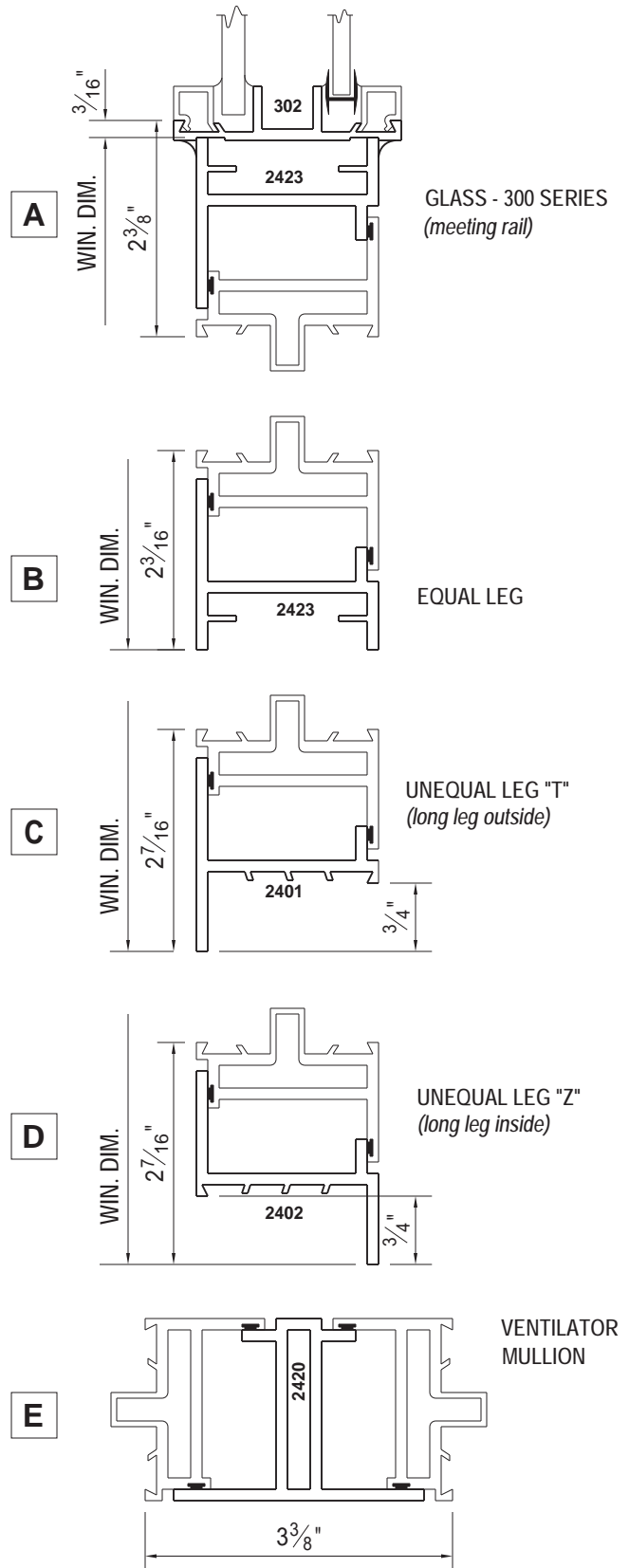
(Inswing Casement similar)



Standard Bottom Ventilator (glass on top, flat jambs and sill)



Alternate project-in ventilator sections that can be used at head, sill or jamb.



SCALE = HALF SIZE

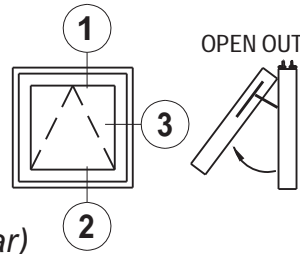


Since 1906

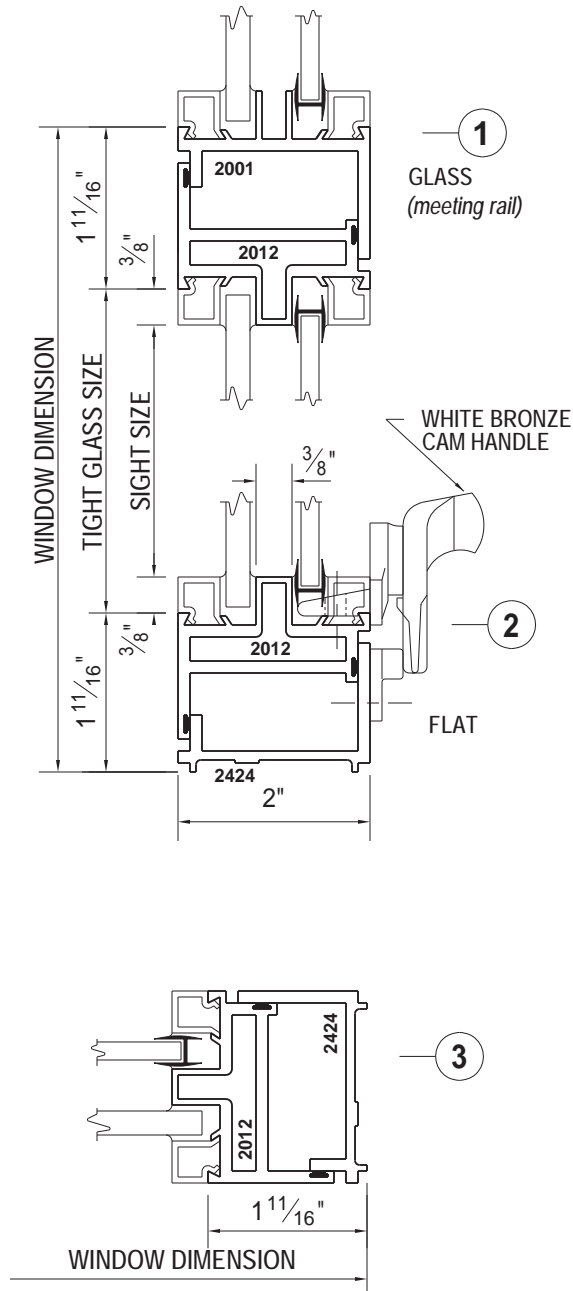
America's finest custom windows

PROJECT-OUT

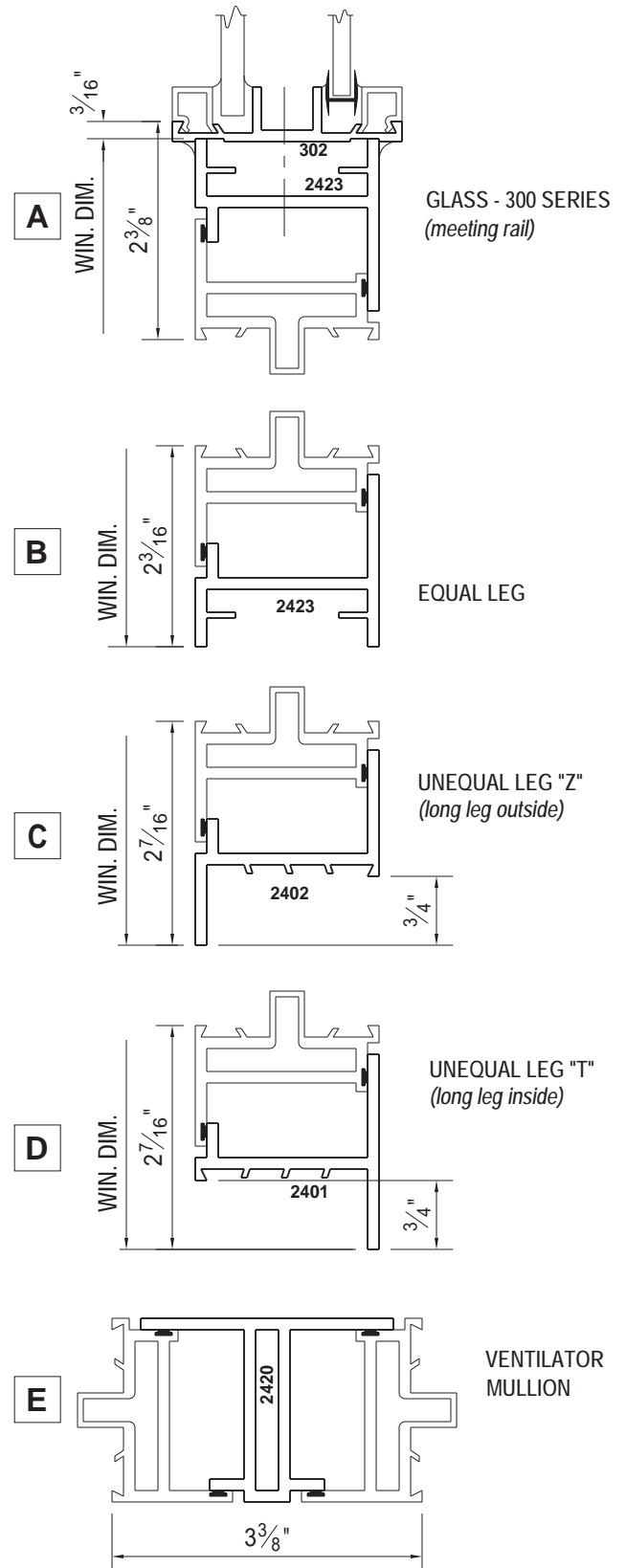
(Outswing Casement similar)



Standard Bottom Ventilator (glass on top, flat jambs and sill)



Alternate project-out ventilator sections that can be used at head, sill or jamb.



SCALE = HALF SIZE